

# LawMate BU19+ CCD Camera Lens

## FEATURES

- Two version: NTSC/PAL
- External microphone
- High resolution
- Miniture size, button design to undergo covert mission
- Work in dark
- Interchangeable covert head
- Easy installation with standard analog jack

## SPECIFICATION

RESOLUTION	
MODEL NUMBER	CM-BU19+
IMAGE PICK-UP DEVICE	SONY 1/2.8 Starvis Sensor
EFFECTIVE PICTURE ELEMENTS	NTSC: 720H x 480V, PAL: 720H x 576V (H*V)
FREQUENCY	NTSC: 15.734KHz(H), 59.94Hz(V); PAL: 15.625KHz(H), 50Hz(V)
HORIZONTAL RESOLUTION	520 TV lines
MINIMUM ILLUMINATION	0.01LUX @F2.0
ANGLE OF VIEW	50°
S/N RATIO	More than 45dB
AUTO ELECTRONIC SHUTTER	NTSC: 1/60s-1/100,000s, PAL: 1/50s-1/110,000s
GAMMA CHARACTERISTIC	0.45γ
GAIN CONTROL	Automatically
WHITE BALANCE	AUTOMATICALLY (2300°K-8600°K)
SYNCHRONOUS SYSTEM	Negative sync. Internal
VIDEO OUTPUT	1 Vp-p Composite Video / 75 Ohms.
POWER SUPPLY	DC 5V / 150 MA
OPERATING TEMP.	-10°C to 50°C (14°F to 122°F)
DIMENSIONS	24.8mm(L) * 24.8 mm (W) * 17 mm(H)

\*This product is for Law Enforcement and Home Security Use Only.

## OPTIONAL ACCESSORIES

LAWMATE PV-500  
ECO2 DVR

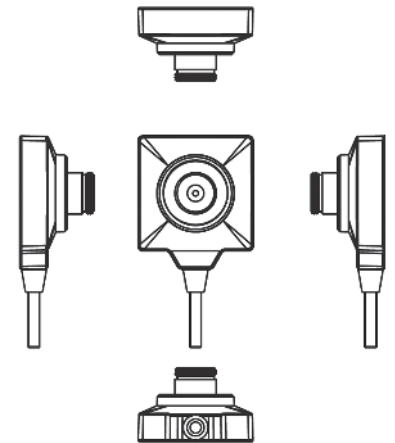


## CE/FCC CERTIFIED

© LawMate UK 2022 (Red48 Limited) is the authorised UK Distributor of LawMate International.



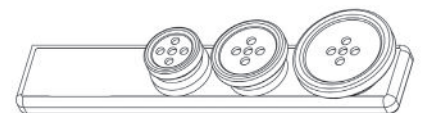
## PRODUCT SKETCH



## STANDARD ACCESSORIES



DIY LENS COVER BUTTON



BUTTON KIT

INCLUDES  
USER  
GUIDE